

## OT FIT 50/220-240/300 D L

OPTOTRONIC FIT D L | Linear / Area Constant Current – Non dimmable



### Product family features

- Line frequency: 0 Hz | 50 Hz | 60 Hz
- Versatile scope of application due to output power range of up to 50 W
- Supply voltage: 220...240 V
- Available with output current range: up to 350 mA
- Non-isolated drivers

### Product family benefits

- Small housing design
- Fixed current
- Lifetime: up to 100,000 h (temperature at  $T_c = 65\text{ °C}$ , max. 10 % failure rate)
- High quality of light thanks to low output ripple current
- High efficiency
- Fulfill safety requirement due to overload, overtemperature, Hot Plug protection

### Areas of application

- Linear lighting for office, education, industry, storage areas and retail
- Installation in emergency lighting systems according to IEC 61347-2-13, appendix J
- Suitable for installation in emergency lighting systems according to EN 60598-2-22
- Suitable for luminaires of protection class I

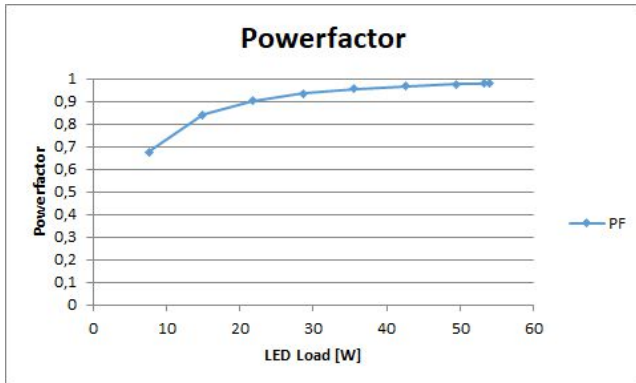
## Technical data

### Electrical data

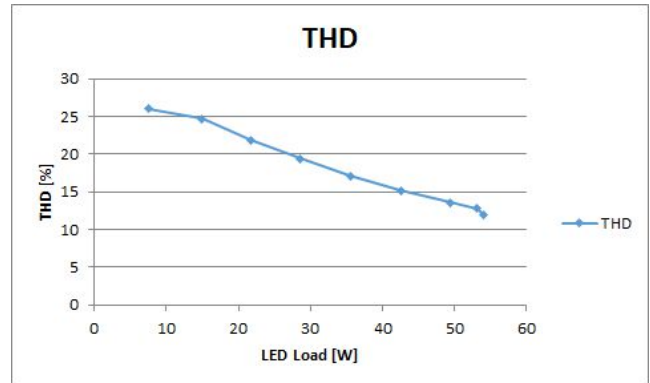
Nominal input voltage	220...240 V
Mains frequency	0/50/60 Hz
Input voltage AC	198...264 V <sup>1)</sup>
Input voltage DC	176...276 V
Current set	Fixed current
Total harmonic distortion	< 20 %
Power factor $\lambda$	> 0.95
Efficiency in full-load	90 % <sup>2)</sup>
Device power loss	5.0 W <sup>3)</sup>
Protective conductor current	<2.0 mA
Inrush current	not relevant
Max. ECG no. on circuit breaker 10 A (B)	35
Max. ECG no. on circuit breaker 16 A (B)	56
Surge capability (L/N-Ground)	2 kV
Surge capability (L-N)	1 kV
Nominal output voltage	54...175 V
U-OUT (working voltage)	< 250 V
Nominal output current	300 mA <sup>4)</sup>
Default output current	300 mA
Output current tolerance	$\pm 10$ %
Output ripple current (100 Hz)	$\leq 5$ %
Output PSTLM	$\leq 1$
Output SVM	$\leq 0.4$
Nominal output power	16.2...52.5 W
Maximum output power	52.5 W
Galvanic isolation	Non isolated

- 1) Permitted voltage range
- 2) at 230 V, 50 Hz
- 3) Maximum
- 4)  $\pm 5\%$

Typical Power Factor v Load



Typical THD v Load

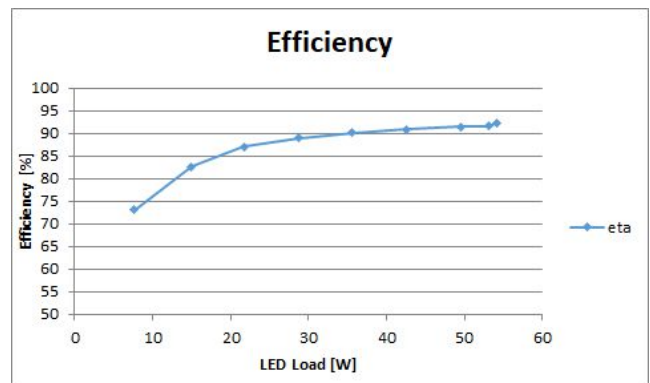
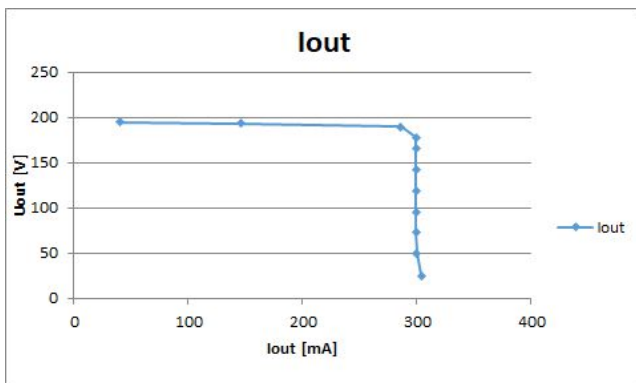


OT FIT 50/220-240/D L Typical Power Factor vs. Load

OT FIT 50/220-240/D L Typical THD Vs Load

Typical I<sub>out</sub> v R<sub>set</sub> LEDset2 mode

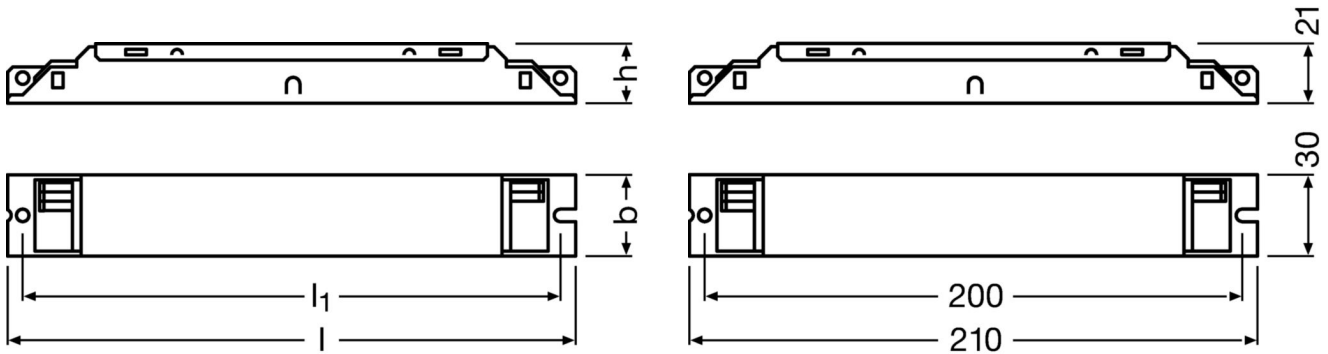
Typical Efficiency v Load 230 V 50 Hz



OT FIT 50/220-240/D L Typical I<sub>out</sub> vs R<sub>set</sub> (LEDset2 mode)

OT FIT 50/220-240/D L Typical Efficiency vs. Load (230 V / 50 Hz)

## Dimensions & weight



Length	210.0 mm
Width	30.0 mm
Height	21.0 mm
Mounting hole spacing, length	200.0 mm
Mounting hole spacing, width	not relevant mm
Cable cross-section, input side	0.5...1.5 mm <sup>2</sup>
Cable cross-section, output side	0.5...1.5 mm <sup>2</sup>
Wire preparation length, input side	8.5...9.5 mm
Wire preparation length, output side	8.5...9.5 mm
Product weight	125.00 g

## Colors & materials

Casing material	Metal
-----------------	-------

## Temperatures & operating conditions

Ambient temperature range	-15...+50 °C
Maximum temperature at tc test point	75 °C
Max.housing temperature in case of fault	110 °C
Temperature range at storage	-25...85 °C
Permitted rel. humidity during operation	5...85 % <sup>1)</sup>

1) Maximum 56 days/year at 85 %

## Lifespan

<b>ECG lifetime</b>	50000 h / 100000 h <sup>1)</sup>
---------------------	----------------------------------

1) At maximum  $T_c = 75^\circ\text{C}$  / 10% failure rate / At  $T_c = 65^\circ\text{C}$  / 10% failure rate

## Capabilities

<b>Dimmable</b>	No
<b>Constant lumen function</b>	No
<b>Max. cable length to lamp/LED module</b>	2.0 m <sup>1)</sup>
<b>Suitable for fixtures with prot. class</b>	I
<b>Suitable for emergency lighting</b>	Yes
<b>Type of connection, input side</b>	Push terminal
<b>Type of connection, output side</b>	Push terminal
<b>Number of channels</b>	1
<b>Overheating protection</b>	Automatic reversible
<b>Overload protection</b>	Automatic reversible
<b>Short-circuit protection</b>	Automatic reversible
<b>Intended for no-load operation</b>	No
<b>No-load proof</b>	Yes

1) Output wires must be routed as close as possible to each other

## Programming

Programming device	not relevant
--------------------	--------------

## Certificates & standards

Approval marks – approval	CE / EL / VDE-ENEC / VDE-EMC / EAC / CCC / BIS / RCM
Standards	Acc. to EN 61347-1 / Acc. to EN 61347-2-13 / Acc. to EN 55015 / Acc. to EN 61547 / Acc. to EN 61000-3-2 / Acc. to EN 62384 / Acc. to EN 62386
Type of protection	IP20
Protection class	1

## Logistical data

Commodity code	85044083900
----------------	-------------

## Environmental information

Information according Art. 33 of EU Regulation (EC) 1907/2006 (REACH)	
Date of Declaration	17-06-2024
Primary Article Identifier	4052899469884
Declaration No. in SCIP database	In work

## Download Data

File		
Certificates	PDF	▶OT ENEC 40038085 111023
CAD data 3-dim	Compressed	▶OT FIT D L CAD3PDF 261119
CAD data 2-dim	Compressed	▶OT FIT D L CAD2PDF 261119
CAD data	Compressed	▶OT FIT D L IGS 261119
CAD data	Compressed	▶OT FIT D L STEP 261119
Mandatory Publications	PDF	▶OT FIT D L CE 4292770 04 160523
Mandatory Publications	PDF	▶OT FIT D L UK DoC 4289774 01 140222

## Ecodesign regulation information:

Intended for use with LED modules.

The forward voltage of the LED light source shall be within the defined operating window of the control gear in all operating conditions including dimming if applicable.

Separate control gear and light sources must be disposed of at certified disposal companies in accordance with Directive 2012/19/EU (WEEE) in the EU and with Waste Electrical and Electronic Equipment (WEEE) Regulations 2013 in the UK. For this purpose, collection points for recycling centres and take-back systems (CRSO) are available from retailers or private disposal companies, which accept separate control gear and light sources free of charge. In this way, raw materials are conserved and materials are recycled.



## Logistical Data

Product code	Product description	Packaging unit (Pieces/Unit)	Dimensions (length x width x height)	Volume	Gross weight
4052899469884	OT FIT 50/220-240/300 D L	Shipping carton box 20 Pieces	234 x 161 x 101 mm	3.81 dm <sup>3</sup>	2665.00 g

The mentioned product code describes the smallest quantity unit which can be ordered. One shipping unit can contain one or more single products. When placing an order, for the quantity please enter single or multiples of a shipping unit

## Disclaimer

Subject to change without notice. Errors and omission excepted. Always make sure to use the most recent release.